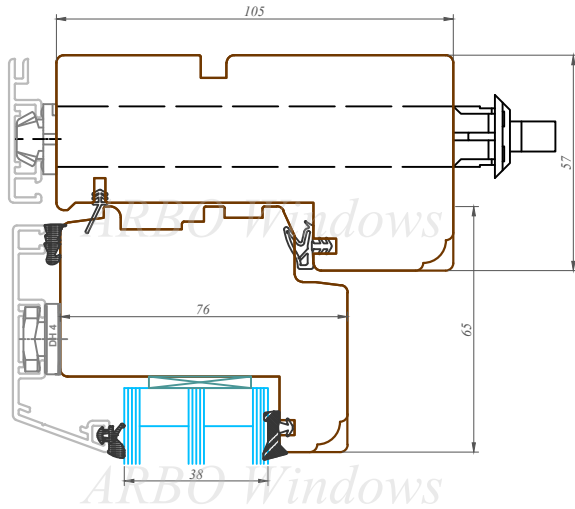
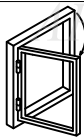
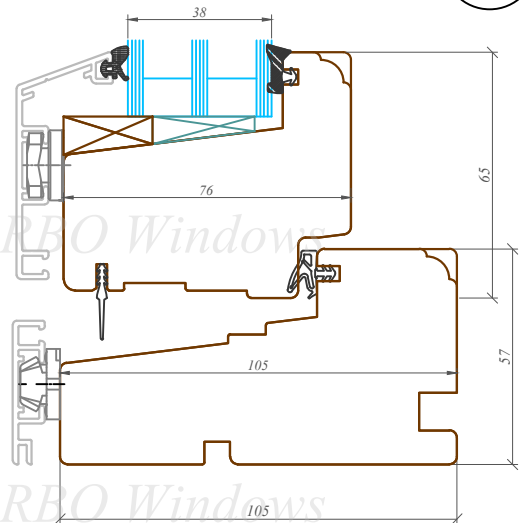
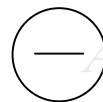
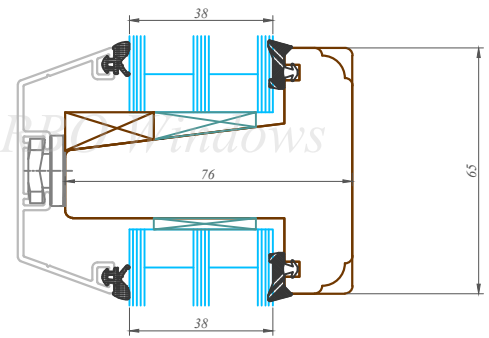
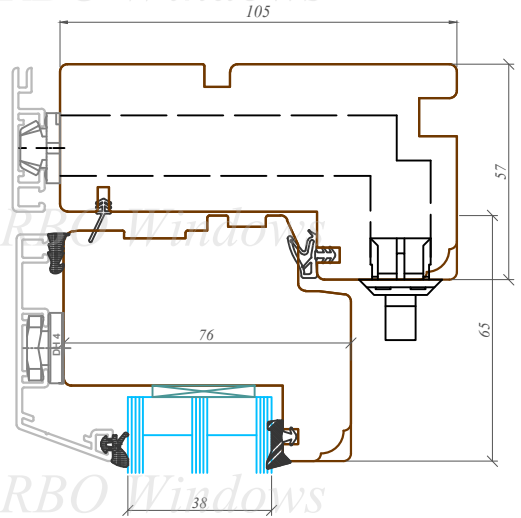


This drawing or the underlying design cannot be copied or used to produce an identical or substantially similar structure, regardless of production method, without Arbo Windows written permission.

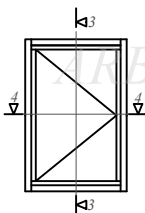
3-3 Option B



3-3 Option A



SILKA SIDE HUNG
76/105



Arbo Windows, SIA
Reg.No. 50103451301

Address:
32 Kustes dambis, Ventspils
Latvia, LV3601

Projekta nosaukums / Project name:

Standartizēti risinājumi / Standard solutions

Nosaukums / Title:

76/105 profilu sistēma / Uz āru verams "Side-hung" logs
76/105 profile system / Side-hung window

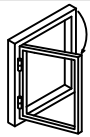
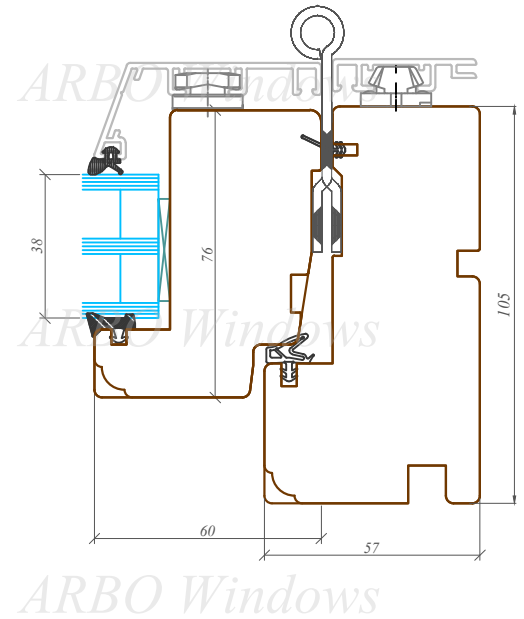
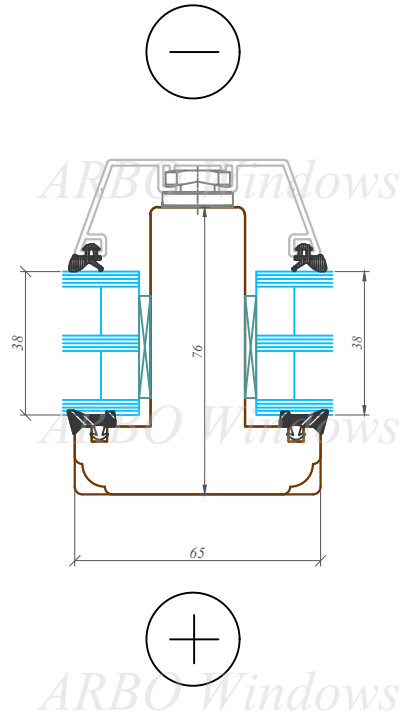
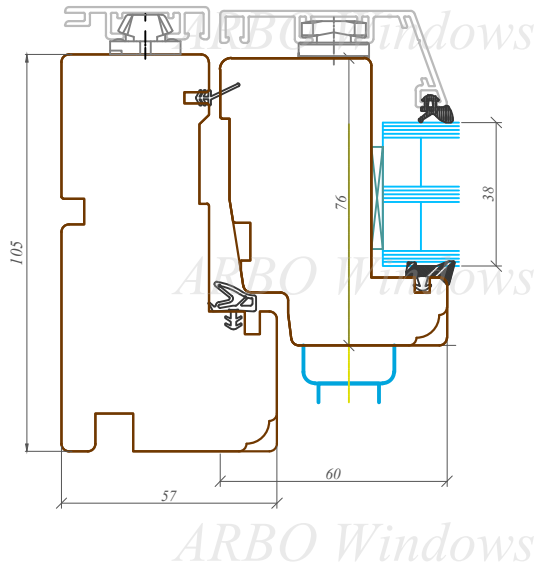
Datums / Date: 2016.01.04.

Mērogs / Scale: 1:2

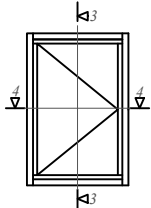
Lapa / Sheet:

This drawing or the underlying design cannot be copied or used to produce an identical or substantially similar structure, regardless of production method, without Arbo Windows written permission.

4-4



SPILKA SIDE HUNG
76/105



Arbo Windows, SIA
Reg.No. 50103451301

Address:
32 Kustes dambis, Ventspils
Latvia, LV3601

Projekta nosaukums / Project name:

Standartizēti risinājumi / Standard solutions

Nosaukums / Title:

76/105 profilu sistēma / Uz āru verams "Side-hung" logs
76/105 profile system / Side-hung window

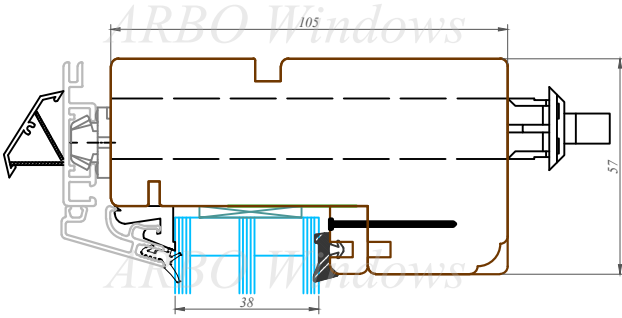
Datums / Date: 2016.01.04.

Mērogs / Scale: 1:2

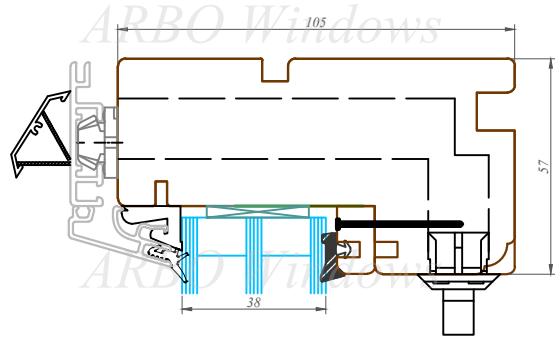
Lapa / Sheet:

This drawing or the underlying design cannot be copied or used to produce an identical or substantially similar structure, regardless of production method, without Arbo Windows written permission.

7-7 Option B



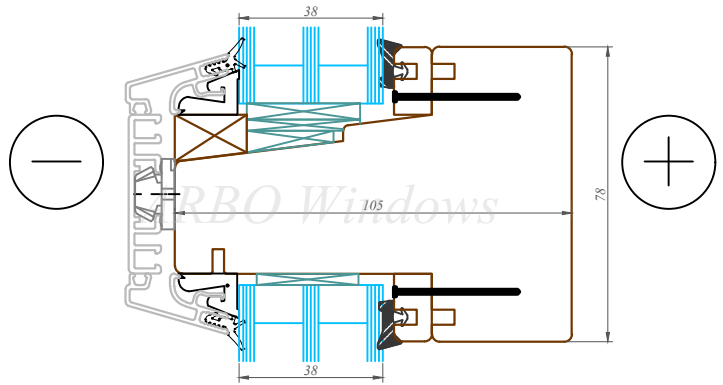
7-7 Option A



ARBO Windows

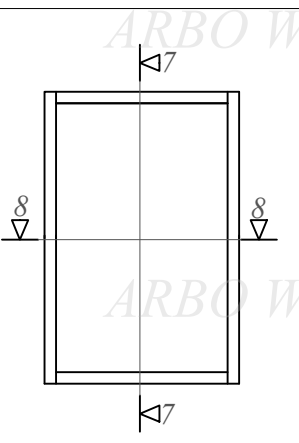
ARBO Windows

ARBO Windows

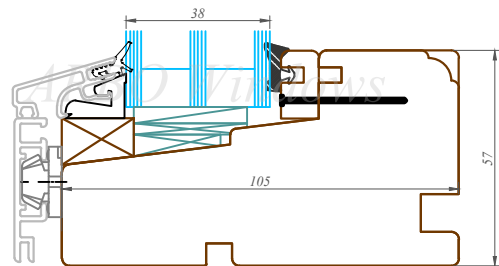


ARBO Windows

ARBO Windows



ARBO Windows



ARBO Windows

ARBO Windows



Arbo Windows, SIA
Reg.No. 50103451301

Address:
32 Kustes dambis, Ventspils
Latvia, LV3601

Projekta nosaukums / Project name:

Standartizēti risinājumi / Standard solutions

Nosaukums / Title:

76/105 profilu sistēma / Vitrīna

76/105 profile system / Fixed window

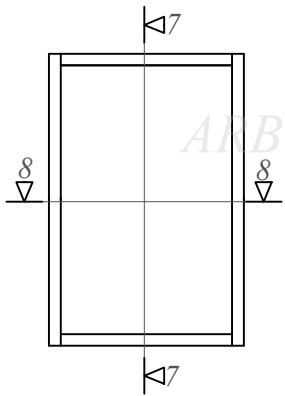
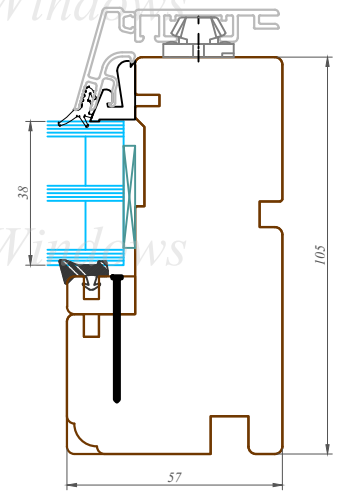
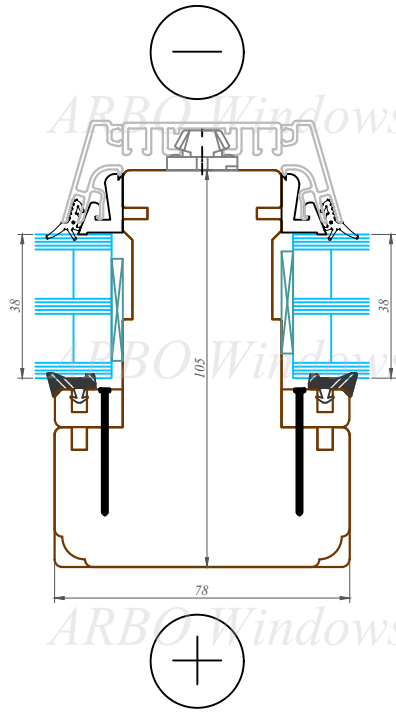
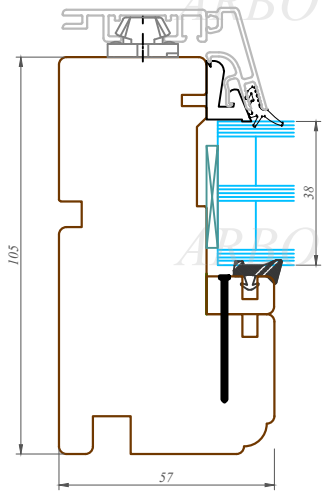
Datums / Date: 2016.01.04.

Mērogs / Scale: 1:2

Lapa / Sheet:

This drawing or the underlying design cannot be copied or used to produce an identical or substantially similar structure, regardless of production method, without Arbo Windows written permission.

8-8



Arbo Windows, SIA
Reg.No. 50103451301

Address:
32 Kustes dambis, Ventspils
Latvia, LV3601

Projekta nosaukums / Project name:

Standartizēti risinājumi / Standard solutions

Nosaukums / Title:

76/105 profilu sistēma / Vitrīna
76/105 profile system / Fixed window

Datums / Date: 2016.01.04.

Mērogs / Scale: 1:2

Lapa / Sheet: