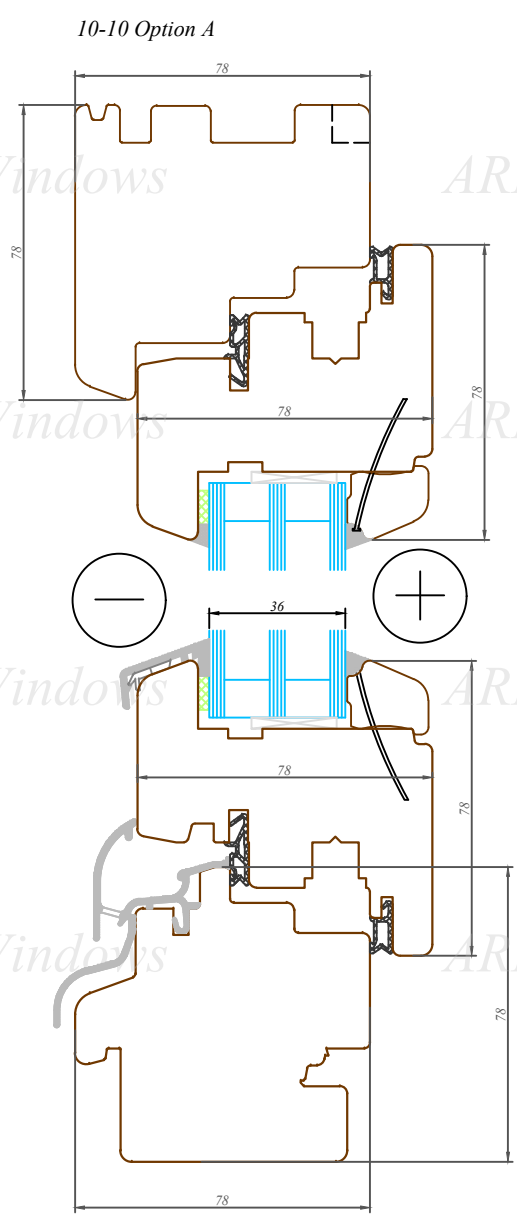
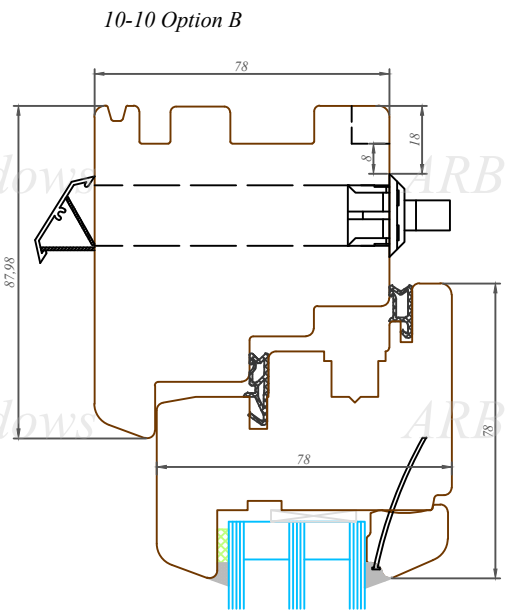
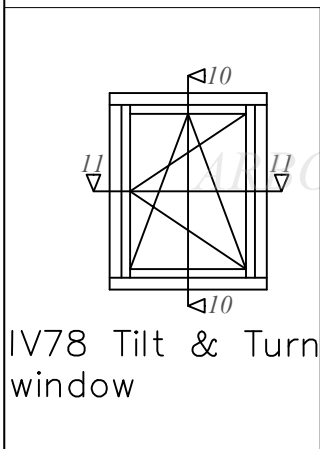


This drawing or the underlying design cannot be copied or used to produce an identical or substantially similar structure, regardless of production method, without Arbo Windows written permission.



Arbo Windows, SIA
Reg.No. 50103451301

Address:
32 Kustes dambis, Ventspils
Latvia, LV3601

Projekta nosaukums / Project name:

Standartizēti risinājumi / Standard solutions

Nosaukums / Title:

IV 78 profilu sistēma / Verams gāzams logs
IV78 profile system / Tilt and turn window

Datums / Date: 2016.01.04.

Mērogs / Scale: 1:2

Lapa / Sheet:

This drawing or the underlying design cannot be copied or used to produce an identical or substantially similar structure, regardless of production method, without Arbo Windows written permission.

ARBO Windows

ARBO Windows

ARBO Windows

11-11

ARBO Windows

ARBO Windows

ARBO Windows

ARBO Windows

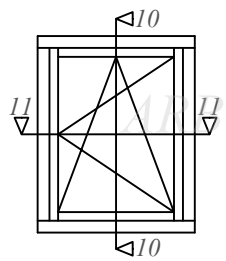
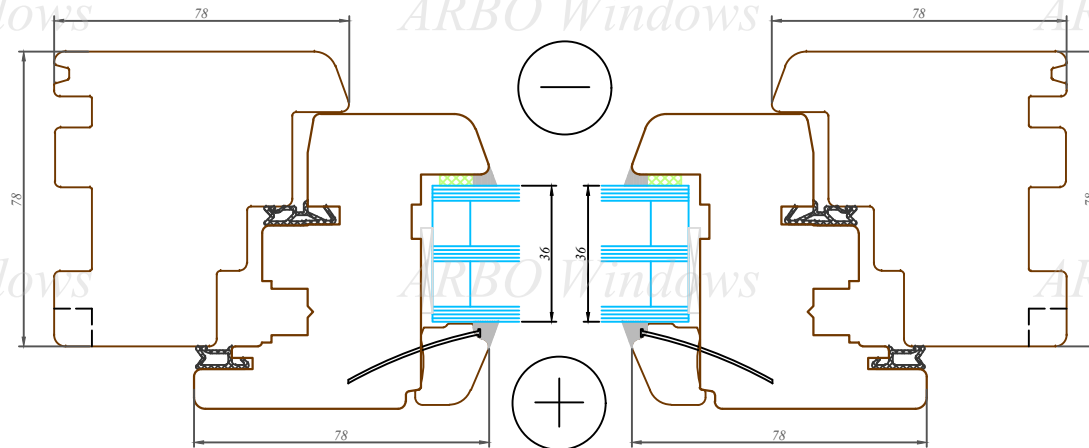
ARBO Windows

ARBO Windows

ARBO Windows

ARBO Windows

ARBO Windows



IV78 Tilt & Turn window



Arbo Windows, SIA
Reg.No. 50103451301

Address:
32 Kustes dambis, Ventspils
Latvia, LV3601

Projekta nosaukums / Project name:

Standartizēti risinājumi / Standard solutions

Nosaukums / Title:

IV 78 profilu sistēma / Verams gāzams logs
IV78 profile system / Tilt and turn window

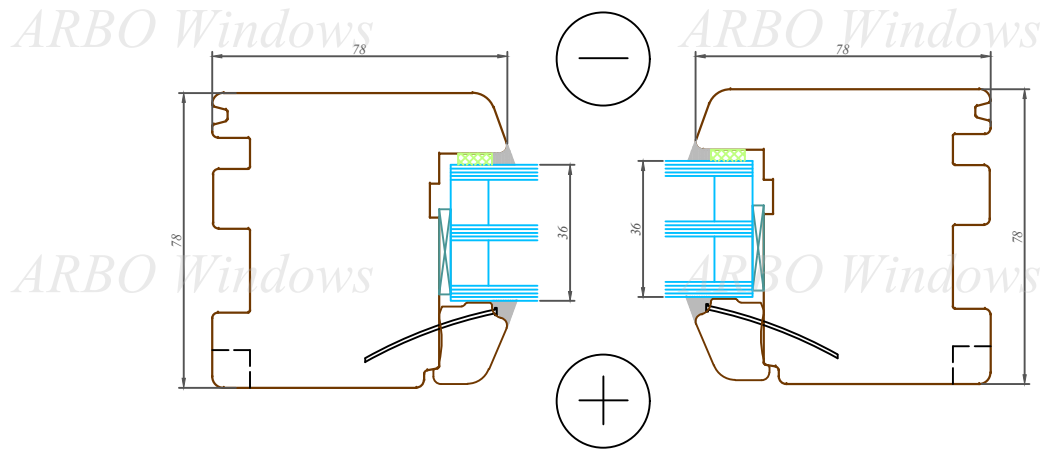
Datums / Date: 2016.01.04.

Mērogs / Scale: 1:2

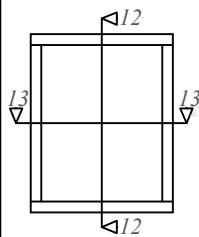
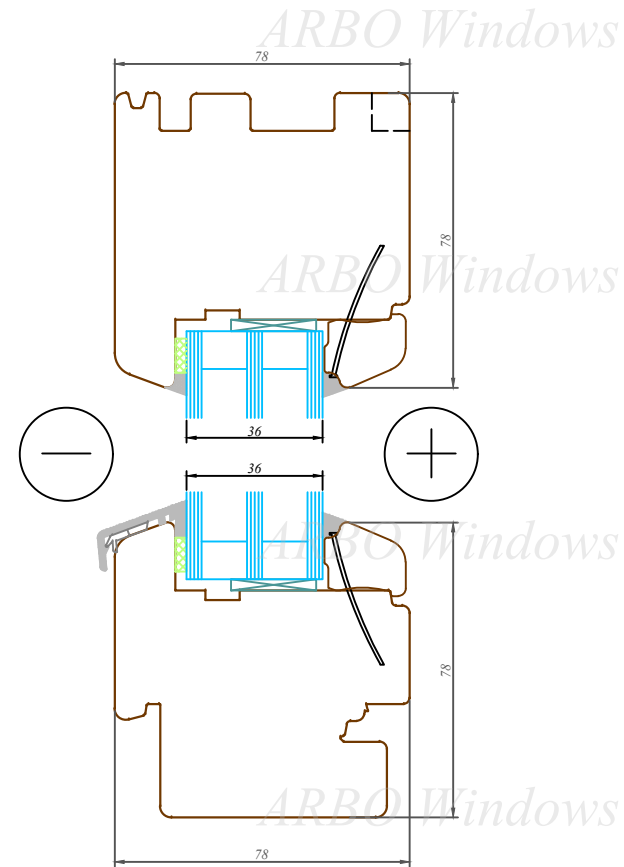
Lapa / Sheet:

This drawing or the underlying design cannot be copied or used to produce an identical or substantially similar structure, regardless of production method, without Arbo Windows written permission.

13-13



12-12



IV78 Fixed window



Arbo Windows, SIA
Reg.No. 50103451301

Address:
32 Kustes dambis, Ventspils
Latvia, LV3601

Projekta nosaukums / Project name:

Standartizēti risinājumi / Standard solutions

Nosaukums / Title:

IV 78 profilu sistēma / Vitrīna
IV78 profile system / Fixed window

Datums / Date: 2016.01.04.

Mērogs / Scale: 1:2

Lapa / Sheet: